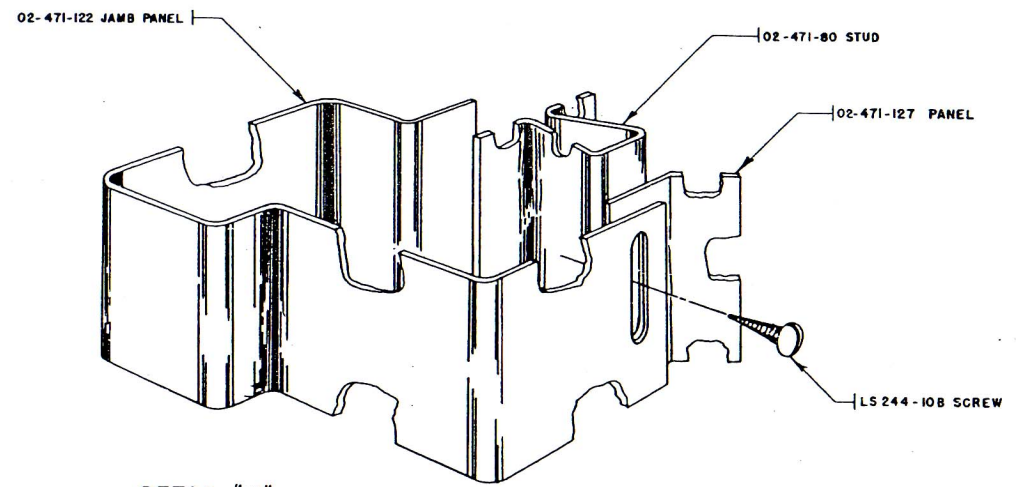


DETAIL "A"
STEP N°12 EM-02-P-44.1



DETAIL "B"
STEP N°15 EM-02-P-44.1
STEP N°14 EM-02-P-44.1

<i>LUSTRON</i> CORPORATION		ERECTION	MANUAL
		TITLE GUEST CLOSET- TRIM DETAILS	
PREPARED BY J B R	DATE 6-22-49	EFF. 623 & SUBS.	
		DRAWING NUMBER EM-02-P-44.11	