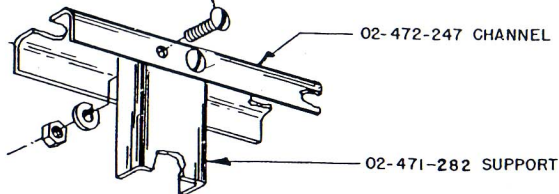
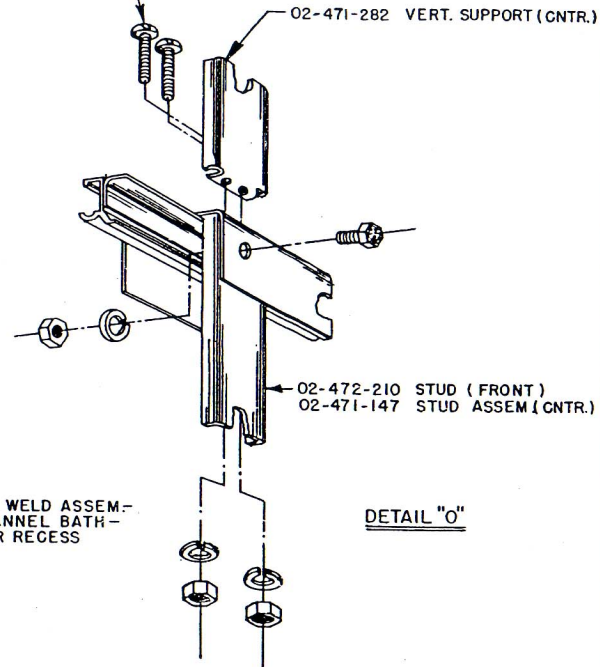


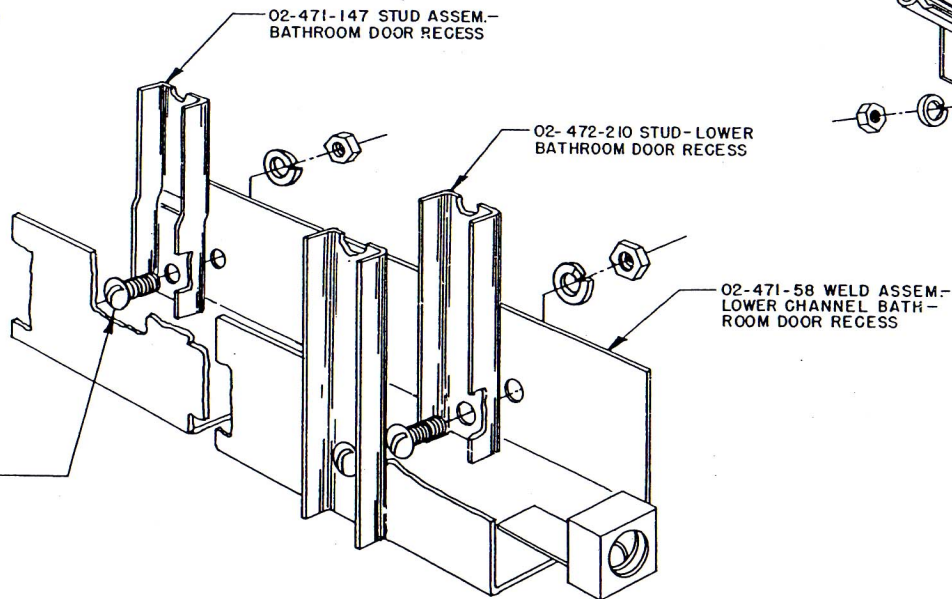
10-24 X 3/8" RND. HD. SLTD. MACH. SCR.,
CAD. PL. (LS70-6B)
10 MED. SPR. LOCKWASHER, CAD. PL.
(LS431-10B)
10-24 HEX NUT, NKL. PL. (LS400-10M)
(TYP.)



10-24 X 3/8" RND. HD. SLTD. MACH. SCR.,
CAD. PL. (LS70-6B)
10 MED. SPR. LOCKWASHER, CAD. PL.
(LS431-10B)
10-24 HEX NUT, NKL. PL. (LS400-10M)
(TYP.)



DETAIL "N"



DETAIL "O"

10-24 X 3/8" RND. HD. SLTD. MACH. SCR.,
CAD. PL. (LS70-6B)
10 MED. SPR. LOCKWASHER, CAD. PL.
(LS431-10B)
10-24 HEX NUT, NKL. PL. (LS400-10M)
(TYP.)

DETAIL "P"

THIS PAGE SUPERSEDES PAGE EM-02-P-12.14
AT HOUSE N° 1301.



ERECTION		MANUAL	
TITLE GUEST CLOSET - STRUCTURAL DETAILS			
PREPARED BY W. C. G.	DATE 8-2-49	EFF. 1301 & SUBS.	
		DRAWING NUMBER EM-02-P-12.17	