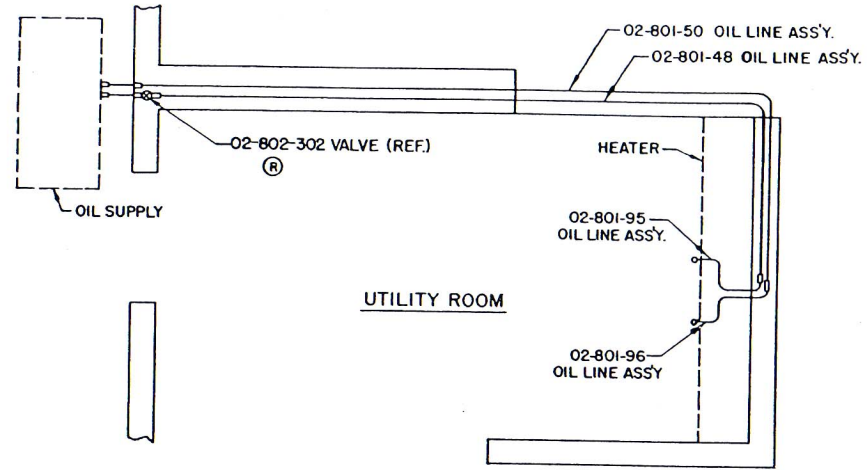
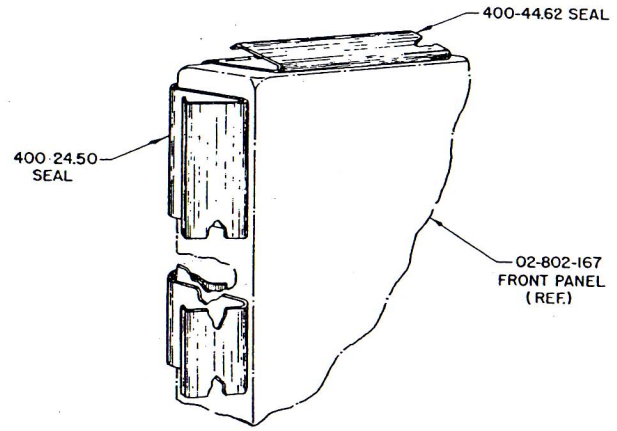


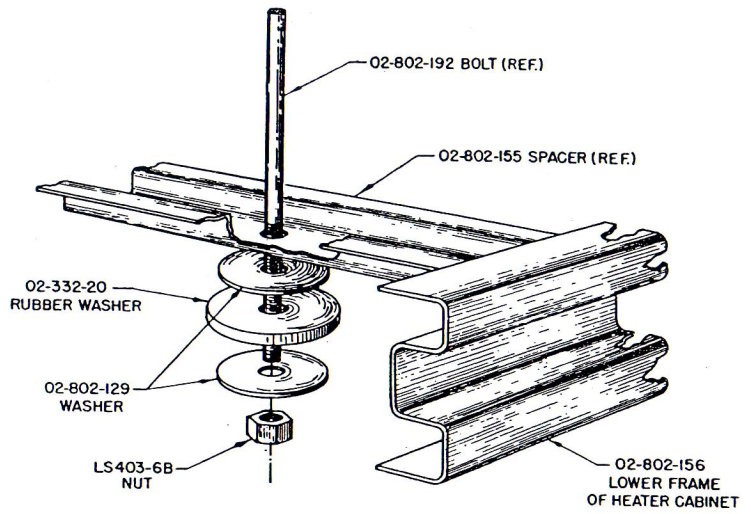
RELEASE NO.	DATE
NP-629	4-14-49
NP-669	5-17-49



OIL LINE DIAGRAM



DETAIL "A"  
TYPICAL INSTALLATION OF SEAL



DETAIL "B"  
TYPICAL FOR HANGE RODS  
HEATER CABINET PANELS NOT SHOWN

FOR GAS OR OIL INSTALLATIONS

*LUSTRON*  
CORPORATION

ERECTION		MANUAL	
TITLE INSTALLATION FURNACE DETAILS AND OIL LINE DIAGRAM			
PREPARED BY G.B.E.	DATE 4-14-49	EFF. 511 & SUB	
REVISOR 5-17-49	R.L.S.	DRAWING NUMBER EM-02-N-31.11	