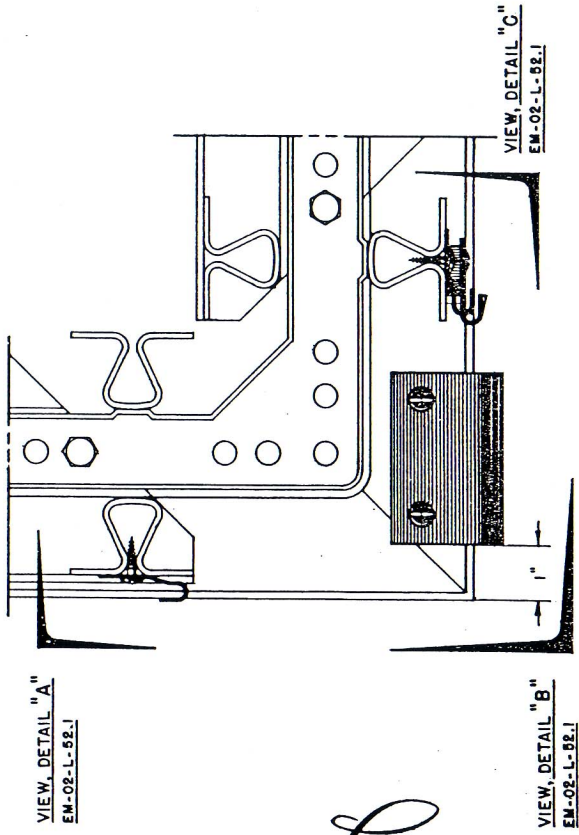
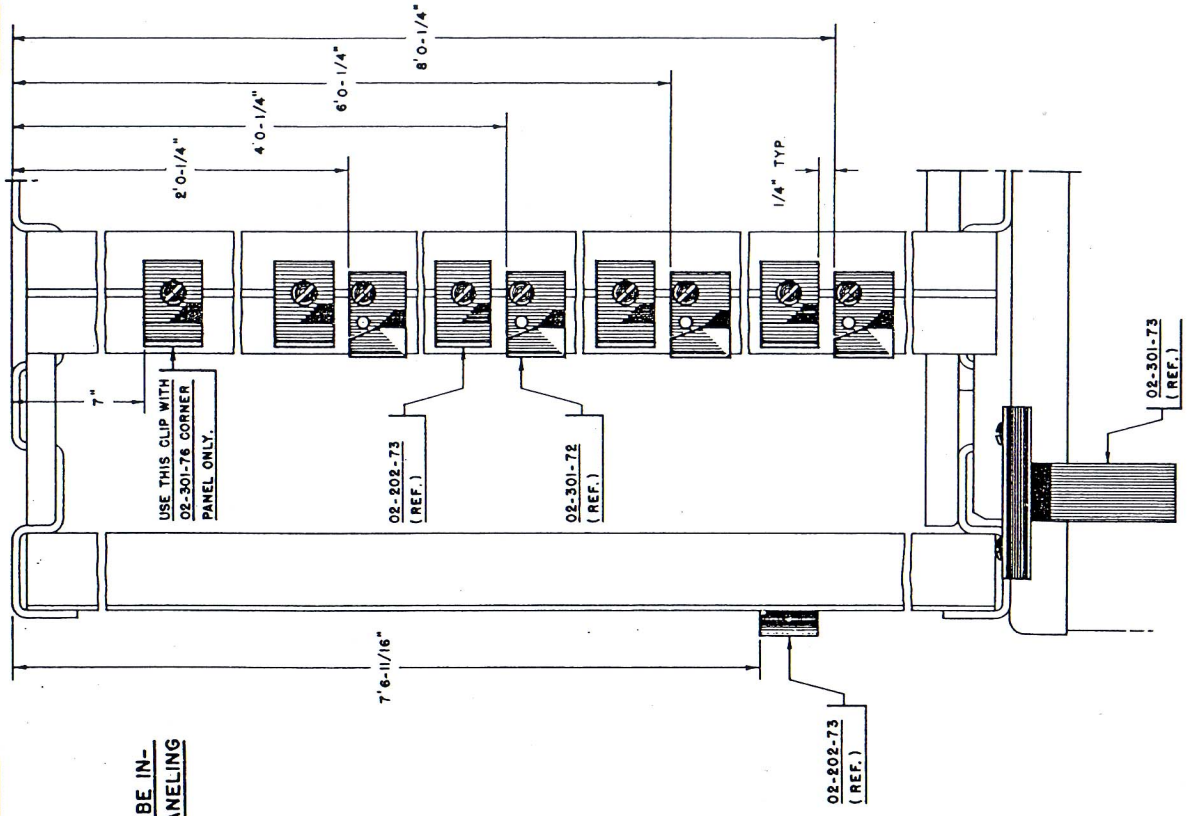


CAUTION:

THESE CLIPS MUST BE INSTALLED BEFORE PANELING IS STARTED.



ERECTOR		MANUAL	
<p>Lustron Corporation</p>			
<p>TITLE EXTERIOR CORNER PANEL CLIP INSTALLATION ELEVATION AND PLAN</p>			
PREPARED BY J B R	DATE 4-13-49	EFF. 511 & SUBS.	
		DRAWING NUMBER EM-02-L-51.1	