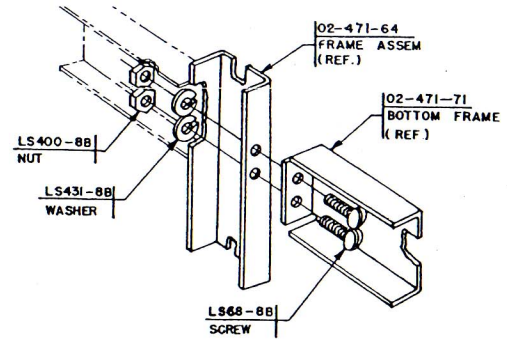
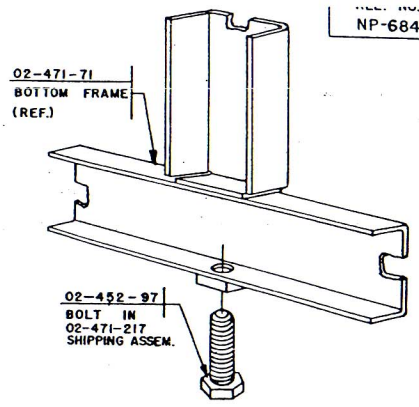


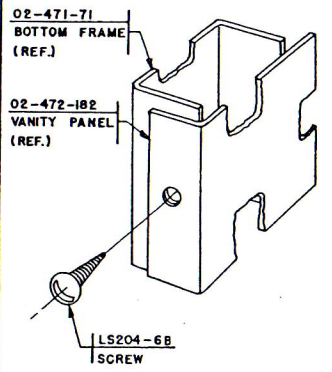
DETAIL "G"
 TYPICAL CONNECTION



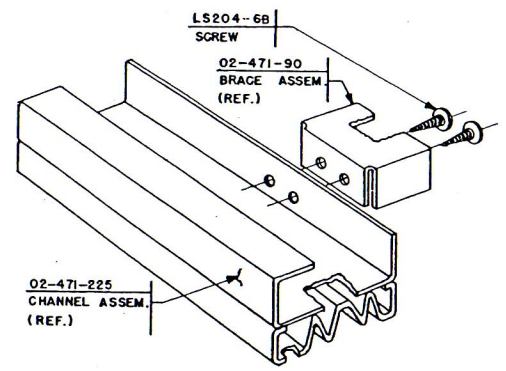
DETAIL "H"
 TYPICAL CONNECTION



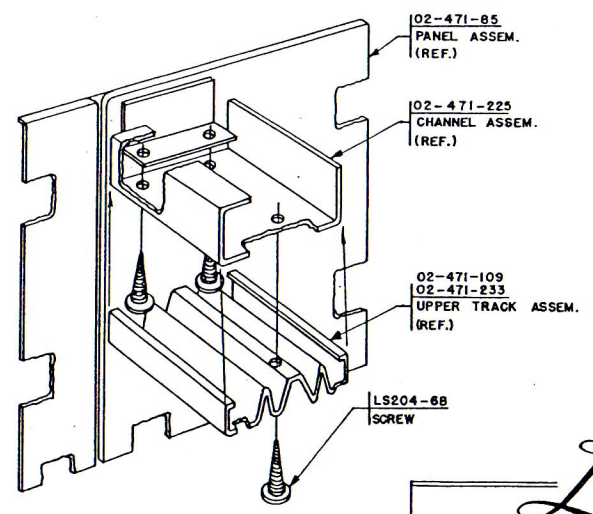
DETAIL "J"
 TYPICAL CONNECTION



DETAIL "K"
 TYPICAL 8 PLACES
 FOR INSTALLATION OF
 O2-472-182 PANEL



DETAIL "L"



DETAIL "M"

		ERECTION		MANUAL
		TITLE INSTALLATION - VANITY CLOSET DETAILS		
PREPARED BY R. L. S.	DATE 6-10-49	EFF.	1001 & SUB.	
		DRAWING NUMBER EM-02-S-12.1		