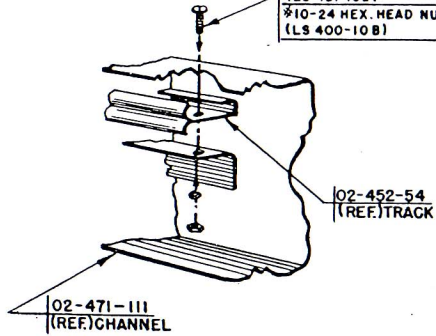
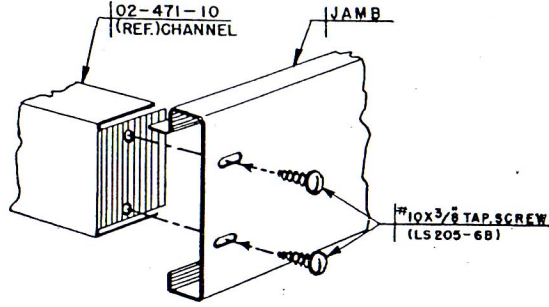


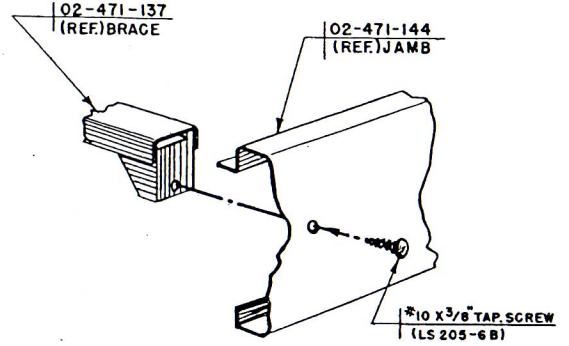
- *10-20 X 3/8" MACH. SCREW (LS 130-6B)
- *10 M. SPRG. LOCKWASHER (LS 431-10B)
- *10-24 HEX. HEAD NUT (LS 400-10B)



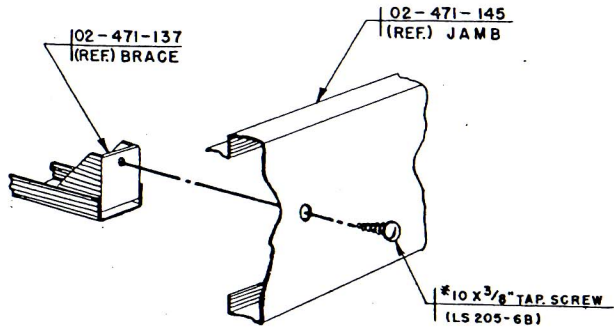
DETAIL "A"



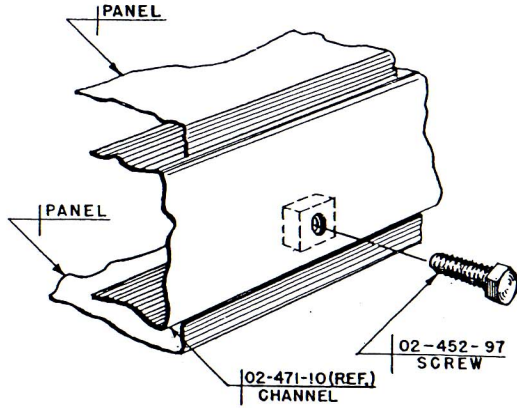
DETAIL "B"



DETAIL "C"



DETAIL "D"



DETAIL "E"

<i>Lustron</i> CORPORATION		ERECTION MANUAL	
TITLE INSTALLATION-RECESS ASSEM. BEDROOM N°1-DETAILS			
PREPARED BY W.C.G.	DATE 6-6-49	EFF. 511 & SUB. DRAWING NUMBER EM-02-R-32.1	