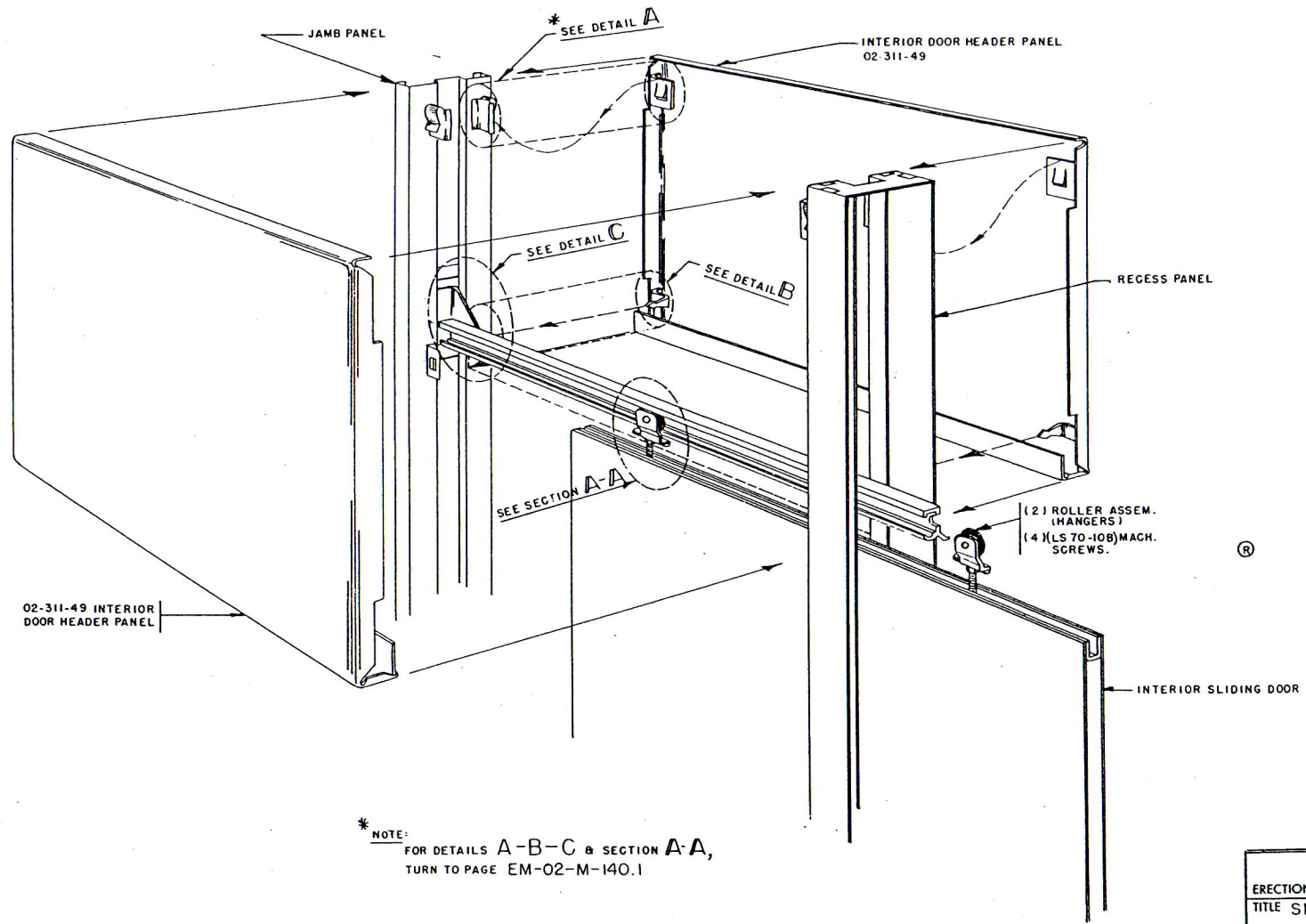


RELEASE NO. NP-623	DATE 4-18-49
NP-683	6-9-49



02-311-49 INTERIOR DOOR HEADER PANEL

* NOTE:
FOR DETAILS A-B-C & SECTION A-A,
TURN TO PAGE EM-02-M-140.1

®



ERECTION		MANUAL
TITLE SLIDING DOOR & HEADER PANEL INSTALLATION		
PREPARED BY R. H. GEYER	DATE 4-15-49	EFF. 511 & SUB.
REVISED (®) 6-9-49	BY W.G.G.	DRAWING NUMBER EM-02-M-130.1