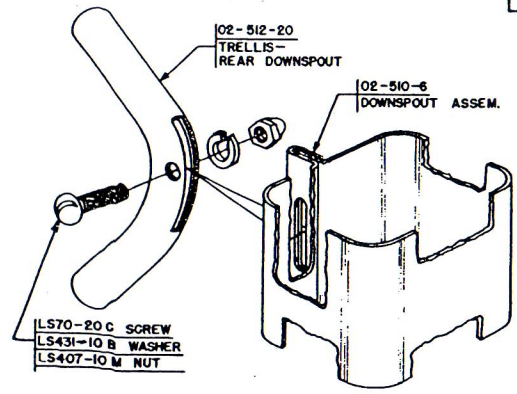
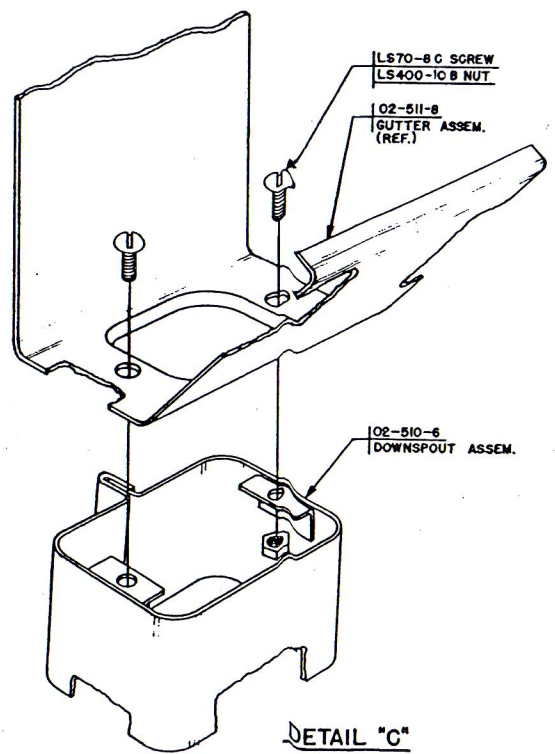


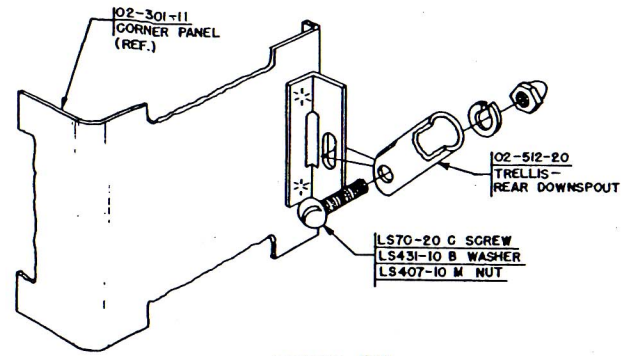
DETAIL "A"



DETAIL "B"



DETAIL "C"



DETAIL "D"

NOTE:
 INSTALLATION SHOWN IS FOR
 RIGHT REAR TRELLIS.
 INSTALLATION OF TRELLIS &
 DOWNSPOUT TO PORCH POST
 AT FRONT LEFT CORNER
 SIMILAR.

LUSTRON
 CORPORATION

ERECTION		MANUAL
TITLE TRELLIS & DOWNSPOUT INSTALLATION		
PREPARED BY R. L. S.	DATE 2-8-49	EFF. 511 & SUB. DRAWING NUMBER EM-02-L-60.1