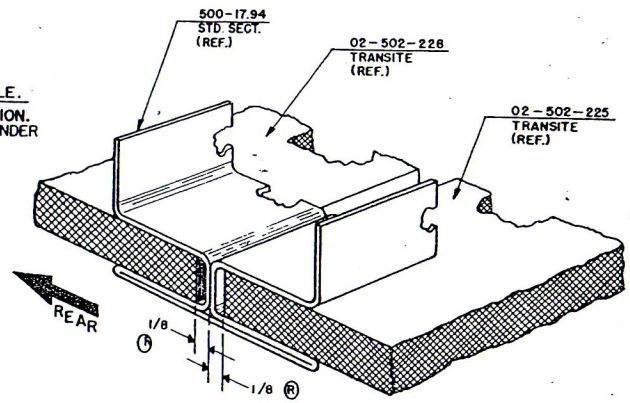
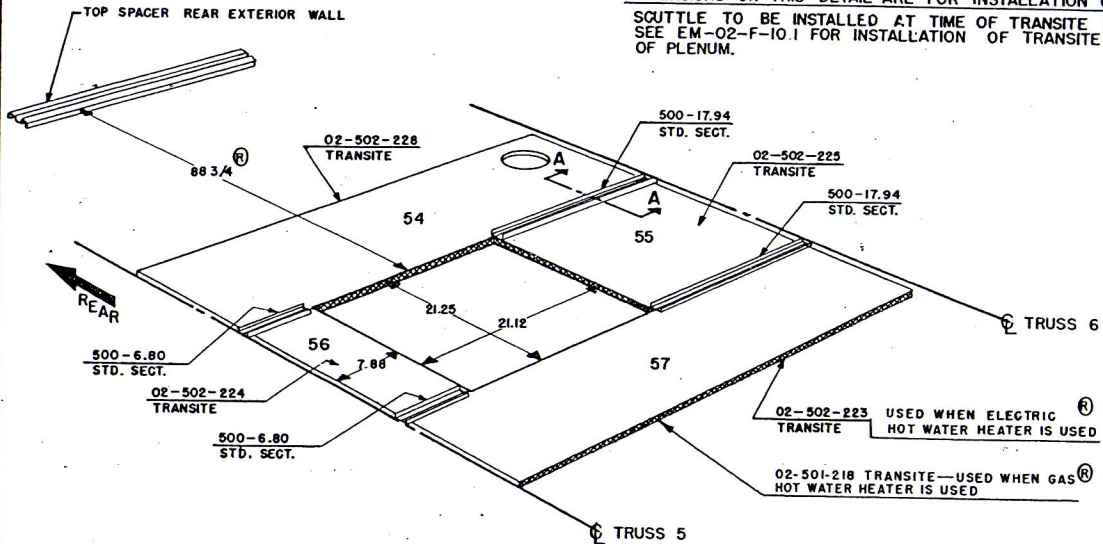


DIMENSIONS ON THIS DETAIL ARE FOR INSTALLATION OF SCUTTLE. SCUTTLE TO BE INSTALLED AT TIME OF TRANSITE INSTALLATION. SEE EM-02-F-10.1 FOR INSTALLATION OF TRANSITE IN REMAINDER OF PLENUM.



SECTION "A-A"

THE DIMENSIONS GIVEN ABOVE ARE FOR LOCATION OF TRANSITE ONLY.



ERECTION		MANUAL	
TITLE SCUTTLE INSTALLATION			
PREPARED BY R.L.S.	DATE 2-14-49	EFF. 101 THRU 3000	
REVISED 6-8-49	R.H.G.	DRAWING NUMBER EM-02-F-15.1	