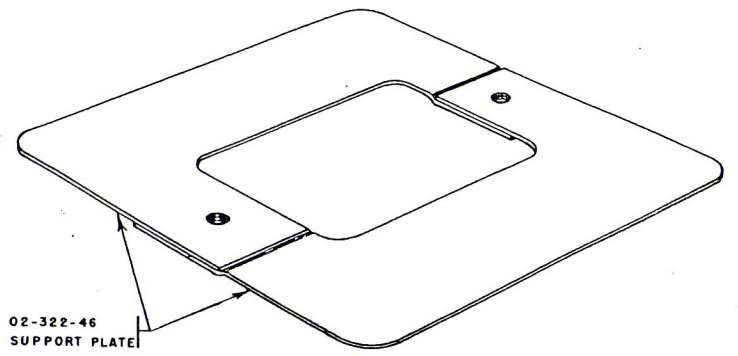
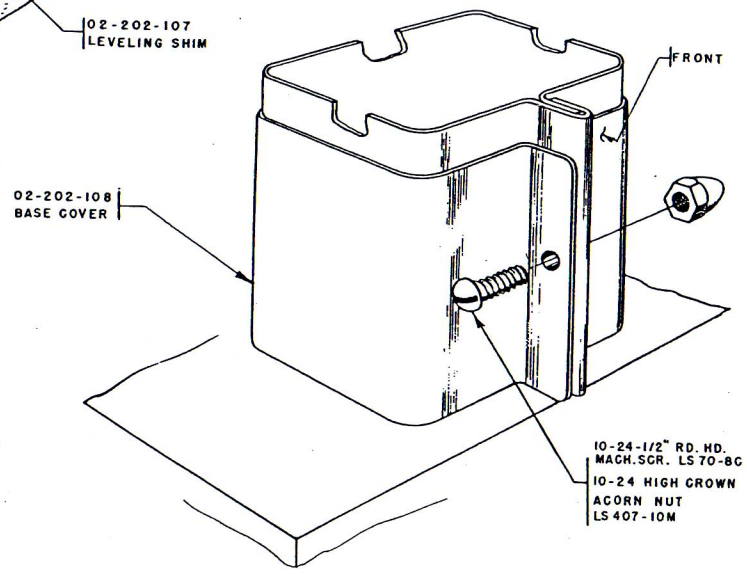


STEP NO. 3

- (A) PLUMB POST AND LEVEL LINTEL SHIM TO PROPER ELEVATION BY USING 02-202-107 SHIMS. CHECK ELEVATION BY USING HAND LEVEL ON LINTEL.
- (B) APPLY LOCK WASHER THEN WASHER AND NUT PREVIOUSLY REMOVED.
- (C) TIGHTEN ALL CONNECTIONS.

STEP NO. 4

INSTALL BASE COVER AS SHOWN.



STEP NO. 5

AFTER PORCH CEILING PANELS HAVE BEEN INSTALLED, INSTALL SUPPORT PLATES, USING (2) 8-15-5/8 TAP SCREWS LS 244-10B. INSTALL WITH BRUSHED SURFACE DOWN.

- 10-24-1/2" RD. HD. MACH. SCR. LS 70-8C
- 10-24 HIGH CROWN ACORN NUT LS 407-10M



ERECTION		MANUAL
TITLE LINTEL & PORCH POST INSTALLATION		
PREPARED BY W. C. G.	DATE 6-20-49	EFF. 511 & SUB. DRAWING NUMBER EM-02-C-53.1